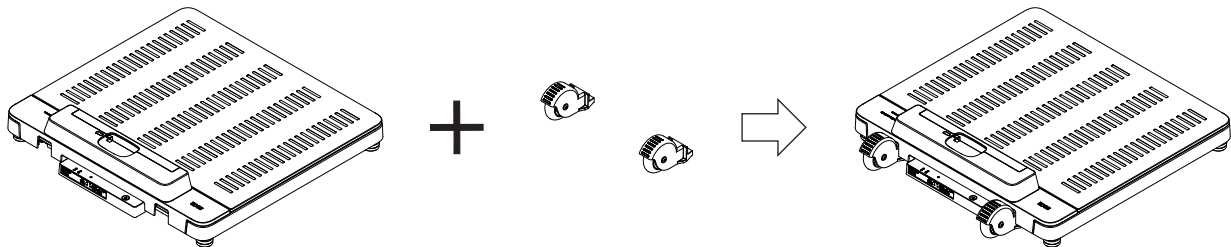


Mounting instructions

Casters for seca 655, seca 654, seca mBCA 555, seca mBCA 554, seca mBCA 552

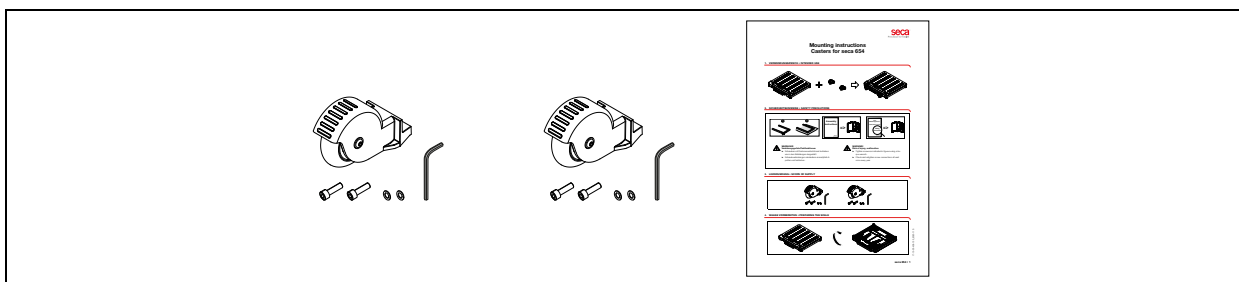
1. VERWENDUNGSZWECK • INTENDED USE



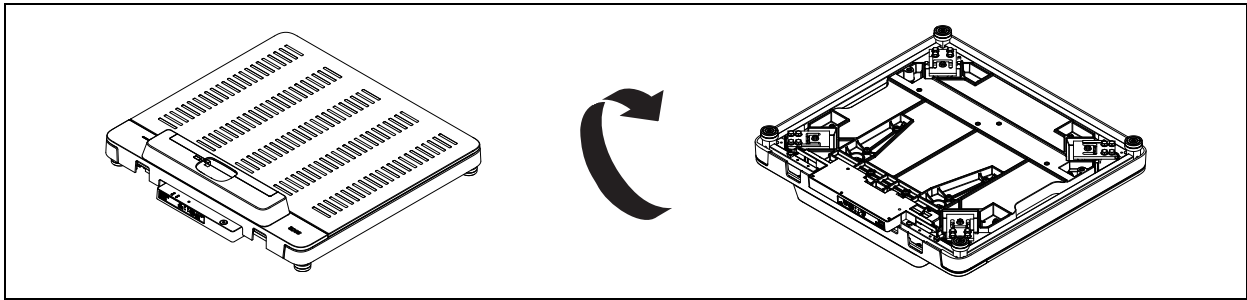
2. SICHERHEITSHINWEISE • SAFETY PRECAUTIONS

<p>! WARNUNG! Verletzungsgefahr/Fehlfunktionen</p> <ul style="list-style-type: none"> ▶ Schrauben mit Drehmomentschlüssel festziehen wie in den Abbildungen dargestellt. ▶ Schraubverbindungen mindestens einmal jährlich prüfen und festziehen. 	<p>! WARNUNG! Risk of injury, malfunction</p> <ul style="list-style-type: none"> ▶ Tighten screws as indicated in figures using a torque wrench. ▶ Check and retighten screw connections at least once every year. 	

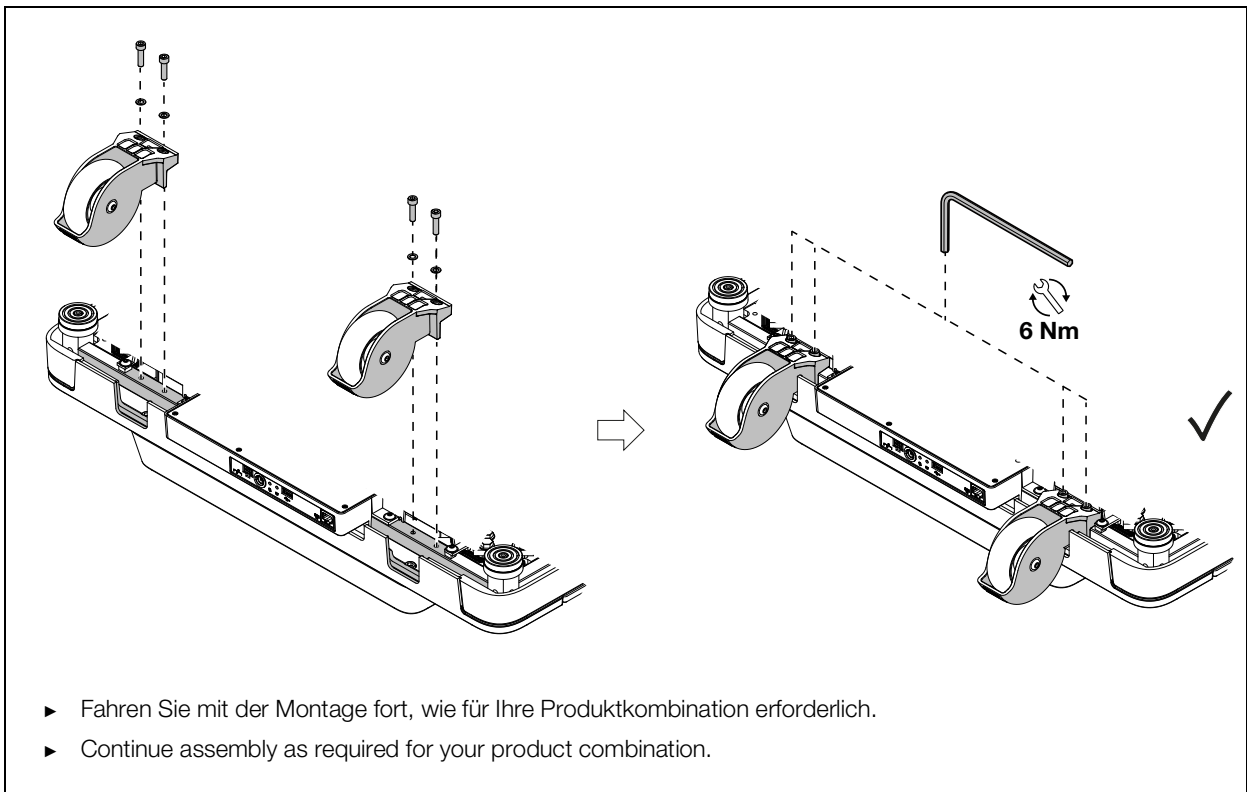
3. LIEFERUMFANG • SCOPE OF SUPPLY



4. WAAGE VORBEREITEN • PREPARING THE SCALE



5. ROLLEN MONTIEREN • MOUNTING CASTERS



Medical Measuring
Systems and Scales
since 1840

seca gmbh & co. kg
Hammer Steindamm 3-25
22089 Hamburg
Germany

T +49 40 20 00 00 0
F +49 40 20 00 00 50
E info@seca.com

seca operates worldwide
with headquarters in
Germany and branches in:
seca france
seca united kingdom
seca north america
seca schweiz
seca zhong guo

seca nihon
seca mexico
seca austria
seca polska
seca middle east
seca suomi
seca américa latina
seca asia pacific

seca danmark
seca benelux
seca lietuva
and with exclusive
partners in more than
110 countries.

All contact data at seca.com